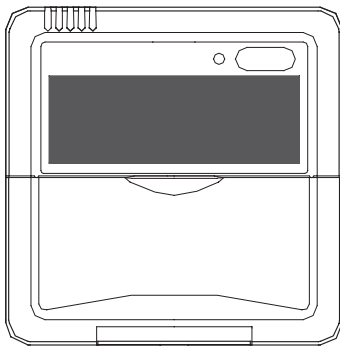


WIRED REMOTE CONTROLLER

Installation Manual

MODEL: KJR-12B/DP(T)-F-1
KJR-12B/DP(T)-E-1A
KJR-12B/DP(T)-E-2
RCW8(P/N:7ACEL1706)
YORK-KJR-12B/DP(T)-E-2
WP-KJR-12B/DP(T)-E-2



IMPORTANT NOTE:

Read this manual carefully before installing or operating your wired remote controller. Make sure to save this manual for future reference.



Table of Contents

Wall-Mounted Remote Control Wiring.....	1
Wall-Mounted Remote Control Installation	6

Wall-Mounted Remote Control Wiring



WARNING

- The wiring should adapt to the wire control current. Otherwise, electric leakage or overheating may occur and result in fire.
- The specified cables shall be used in the wiring. No external force may be applied to the terminal. Otherwise, the wire may be damaged and heating may occur and result in fire.



CAUTION

- The shielded wire must be grounded.
- The connecting cable should not be longer than 20m (65.5').
- The remote control operates on a low voltage circuit loops. **DO NOT** connect a 220V or 380V cable to the circuit loop.
- Make sure that configured tubes are 30-50cm (12-20") or more apart.
- **DO NOT** employ an ohmmeter to detect the insulation after wiring the remote control.

An overview of the wall-mounted remote control wire outlet

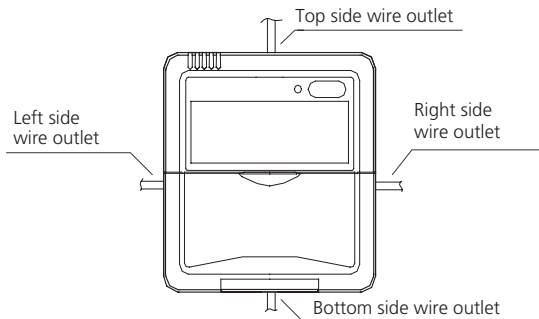


Fig. 1

1. Wiring diagram

Refer to the following diagram to wire the wall-mounted remote control to the indoor unit.

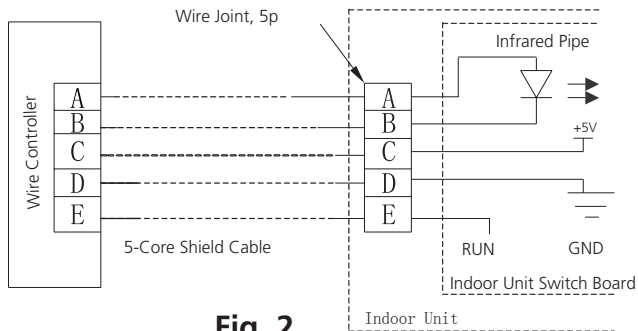


Fig. 2

2. Installation Diagram

Connect the wire from the display panel of the indoor unit to a connecting cable. Then connect the other side of the connecting cable to the remote control.

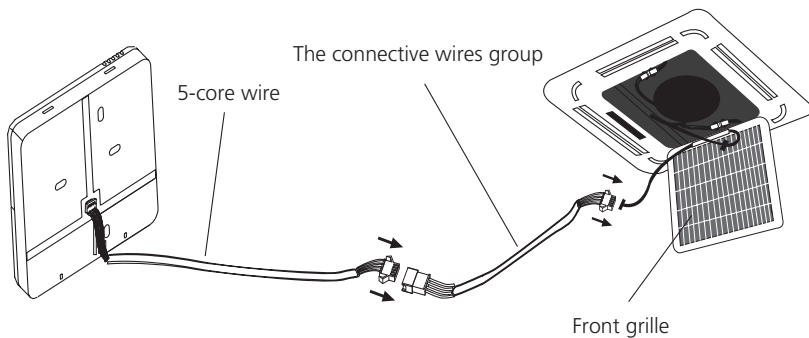


Fig. 3

NOTE: Be sure to reserve a length of the connecting wire for periodic maintenance.

NOTE: DO NOT allow water to enter the remote control.
Use the trap and putty to seal the wires.

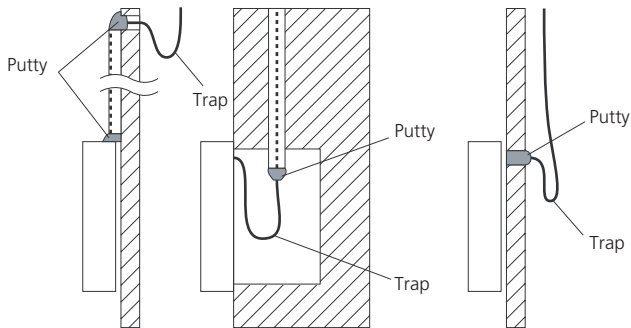


Fig. 4

- a. For exposed mounting, cut holes on four of the sides according to Fig. 5.
- b. For shielded wiring, please refer to Fig. 6.

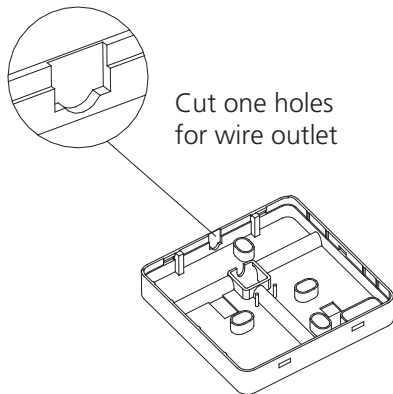
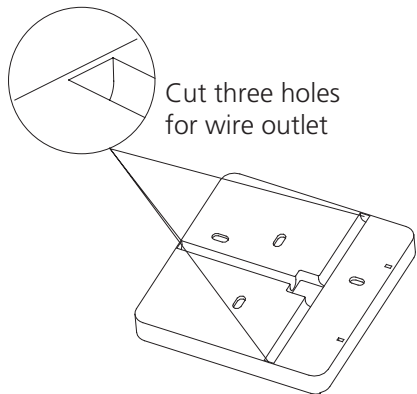
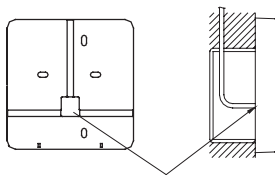


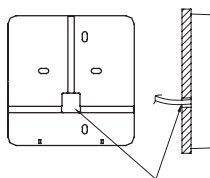
Fig. 5

Embedded switch box wiring

Wiring through the wall



Wiring hole



Wall hole and wiring hole
Diameter of wall hole: Φ 2cm

Fig. 6

Wall-Mounted Remote Control Installation

WARNING

DO NOT operate the unit with wet hands, as this could lead to electrical shock.

Remote Control Dimensions

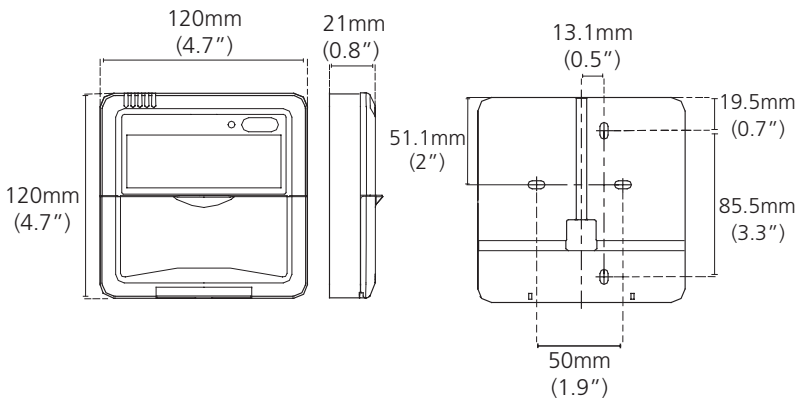


Fig. 7

Preparation Before Installation

1. Ensure you have the following parts

Table 1

No	Name	Quantity	Remarks
1	Remote Control	1	
2	Screws	3	M4X20 (For mounting on the wall)
3	Anchors	3	For mounting on the wall
4	Screws	2	M4X25 (For mounting on switch box)
5	Plastic screw bars	2	For fixing on switch box
6	The connective wires group	1	Optional

2. Prepare the following tools

Table 2

No	Name	Quantity
1	Switch box	1
2	Wiring tube (insulating sleeve and tightening screw)	1

3. Select installation location

DO NOT install the remote control near flammable liquids or gases such as gasoline or hydrogen sulfide. Doing so creates a fire hazard.

Installation Method

1. Remove the top panel of remote control
Insert a screwdriver into the two slots at the bottom of the remote control to pop off the top panel.

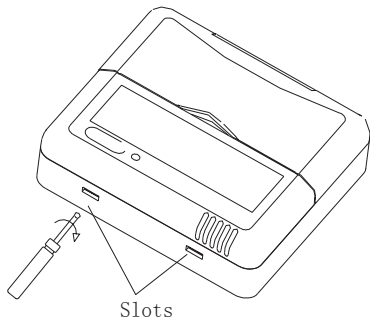


Fig. 8

NOTE: The Printed Circuit Board (PCB) is mounted in the upper part of the remote control. Be careful not to damage the board with the screwdriver.

2. Mount the back plate of the remote control
 - a. For exposed mounting, fasten the back plate to the wall with 3 screws (M4×20) and anchors.

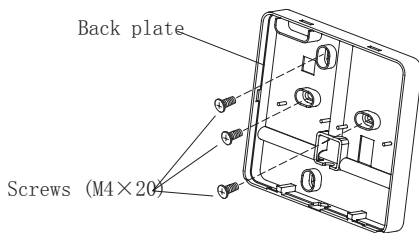


Fig. 9

- b. For flush mounting, fasten the back plate to the switch box with 2 screws (M4×25), and fasten the back plate to the wall with 1 screw (M4×20).

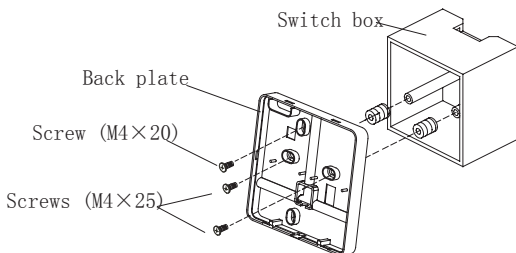


Fig. 10

NOTE: Place the unit on a flat surface. Be careful not to distort the back plate of the remote control by over tightening the screws.

3. Set the time and date

The remote control has a small, built-in battery that allows the time and date to be set. That way the remote control can keep time even during a power outage. When the unit displays an incorrect time and date the batteries need to be replaced.

4. Reattach the top panel of the remote control

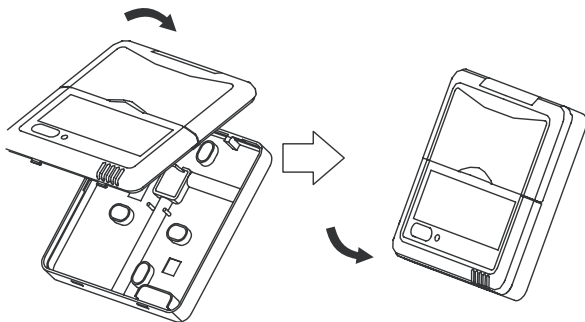


Fig. 11

! CAUTION

DO NOT clamp the wires when reattaching the top panel.

Constant air volume testing capabilities (To set external static pressure) (some models)

When the air conditioning unit is off, Press "MODE" + "FAN" into test mode.

1. Into test mode, display "AF", press "MODE" launch static pressure test function code. Not operating keys 6 minutes or press "ON/OFF" (not hair yards) drop out of test mode.
2. Displaying that "AF" interface process, Press "+" or "-" to select static pressure value mode, display "SP", press "MODE" to adjust the static pressure value, adjust the range of 0 ~ 4.

When the display "SP" or static pressure value, Press "+" or "-" to enter the constant air volume test AF; Not operating keys 6 minutes or press "ON/OFF" (not hair yards) drop out of test mode.

The design and specifications are subject to change without prior notice for product improvement. Consult with the sales agency or manufacturer for details.

QSI-007AEN
16117100000241
20160722